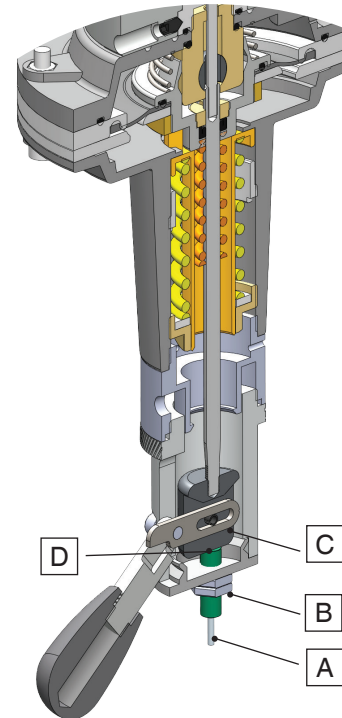


REED CONTACT – PROXIMITY SWITCH

DETAIL IMAGE
PROXIMITY SWITCH 288375

Inductive sensor for detecting the open / closed position of the SAV. Operates contact free in conjunction with the axle. Sensor + switching amplifier comply with ATEX II 1G Ex ia IIC.



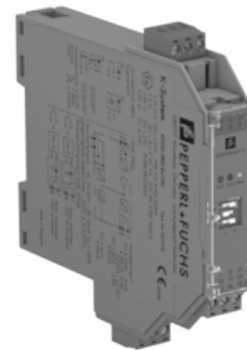
- A Inductive sensor
- B Adjusting nuts 2x
- C Contact adapter
- D Adjustable length ≤ 1.5 mm

REED CONTACT – PROXIMITY SWITCH

TECHNICAL DATA FOR THE AMPLIFIER KFD2-SR2-EX1.W:



ATEX certification	Ex II (1)G [Ex ia Ga] IIC / Ex II (1)D [Ex ia Da] IIIC / Ex I (M1) [Ex ia Ma] I PTB 00 ATEX 2080
IECEX certification	[Ex ia Ga] IIC, [Ex ia Da] IIIC, [Ex ia Ma] I IECEX PTB 11.0034
Operating temperature	-20 °C to +60 °C
Protection class	IP 20 (IEC 60529:2001 / EN 60947-5-6:2000)
Connection	NAMUR twisted pair cable
Current	24 VDC
CE marking	CE 0102



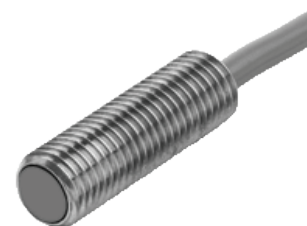
REED CONTACT – PROXIMITY SWITCH

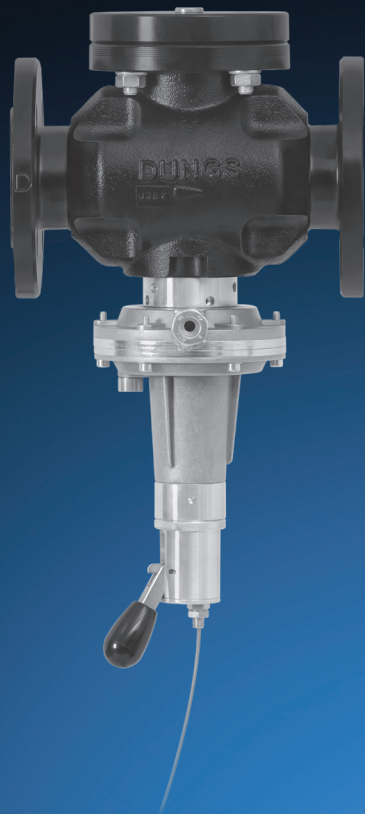
TECHNICAL DATA FOR THE INDUCTIVE SENSOR NCB 1.5-8GM25-N0:

DUNGS®
Combustion Controls



ATEX certification	Ex II (1)G [Ex ia Ga] IIC / Ex II (1)D [Ex ia Da] IIIC / Ex I (M1) [Ex ia Ma] I PTB 00 ATEX 2080
Operating temperature	-25 °C to +100 °C
Protection class	IP 67
Connection	NAMUR twisted pair cable
Switching function	Closed at normal pressure
Housing material	Stainless steel 1.4305 / AISI 303
CE marking	CE 0102





It can be installed on the following products:

- FRM 100025... / SAV... - FRM 100050... / SAV...
- FRM 250025... / SAV... - FRM 250050... / SAV...
- FRM-NOC 100025... / SAV - FRM-NOC 100050... / SAV...
- FRM-NOC 10010... / SAV... - FRM-NOC 10020... / SAV...
- SAV 10010... - SAV 10020...
- SAV 25010... - SAV 25020...
- SAV 100025... - SAV 100050...
- SAV 250025... - SAV 250050...

Head of office and factory

Karl Dungs GmbH & Co. KG
Karl-Dungs-Platz 1
D-73660 Urbach
Germany
Telephone +49 (0)7181-804-0
Telefax +49 (0)7181-804-166
E-mail: info@dungs.com
Internet: www.dungs.com

Subsidiary

Karl Dungs, S.L.U.
Av. Can Roqueta Nº 15
Pol. Ind. Can Roqueta
E-08202 Sabadell
Barcelona / Spain
Telephone +34 935 647 550
E-mail: info.e@dungs.com
Internet: www.dungs.com

Subject to technical modification in the interest of technical progress.