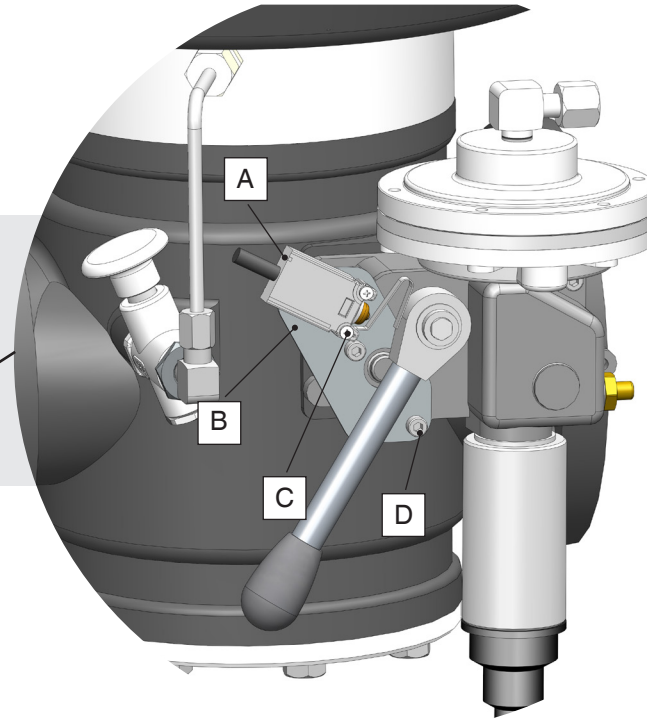


## REED CONTACT - LIMIT SWITCH

DETAIL IMAGE  
LIMIT SWITCH 288378

**DUNGS®**  
Combustion Controls

Mechanical switch for detecting the open/closed position of the SAV. It acts on the reset lever. The sensor complies with ATEX II 2GD Ex d IIC.

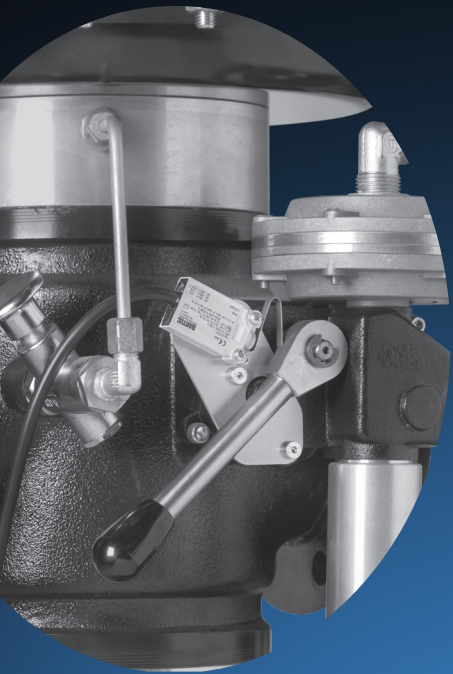


- A Micro switch
- B Mount
- C Screws
- D Hexagon socket head cap screws DIN 7984

# REED CONTACT - LIMIT SWITCH

## LIMIT SWITCH TECHNICAL DATA:

**DUNGS®**  
Combustion Controls



ATEX certification Ex II 2G Ex d IIC T6, T5 Gb / Ex II 2D Ex tb IIIC T80 °C, T95 °C Db  
EPS 14 ATEX 1 766 X

IECEX certification Ex d IIC T6, T5 Gb / Ex tb IIIC T80 °C, T95 °C Db  
IECEX EPS 14.0092 X

Operating temperature -20 °C to +60 °C

Protection class IP 66 (IEC/EN 60529)

Housing material Plastic (Thermoplast)

Control element material Stainless steel

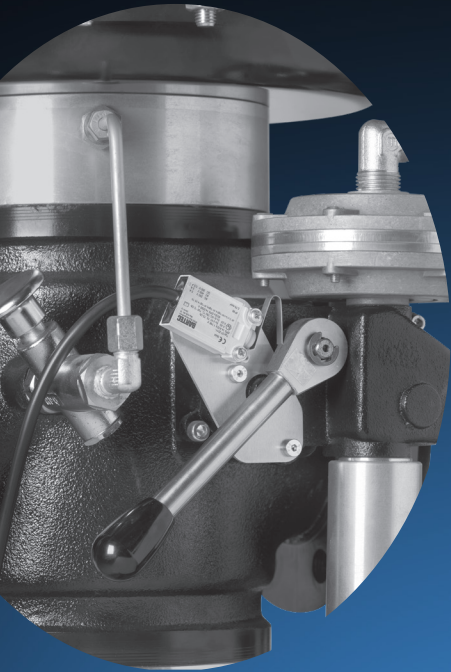
Connection 3 cable

Switching function Normally open

Current	Alternating current	250 V	5 A
	Alternating current	400 V	2 A
	Direct current	250 V	0.5 A

CE marking CE 0044





It can be installed on the following products:

- FRM 100065.../SAV... - FRM 100080.../SAV....
- FRM 250065.../SAV... - FRM 250080.../SAV...
- SAV 100065... - SAV 100080...
- SAV 250065... - SAV 250080...

### Headquarters and plant

**Karl Dungs GmbH & Co. KG**  
**Karl-Dungs-Platz 1**  
**D-73660 Urbach,**  
**Germany**  
**Telephone +49 (0)7181-804-0**  
**Telefax +49 (0)7181-804-166**  
**E-mail: [info@dungs.com](mailto:info@dungs.com)**  
**Internet: [www.dungs.com](http://www.dungs.com)**

### Subsidiary

**Karl Dungs, S.L.U.**  
**Av. Can Roqueta Nº 15**  
**Pol. Ind. Can Roqueta**  
**E-08202 Sabadell**  
**Barcelona/Spain**  
**Telephone +34 935 647 550**  
**E-mail: [info.e@dungs.com](mailto:info.e@dungs.com)**  
**Internet: [www.dungs.com](http://www.dungs.com)**

Subject to technical modification in the interest of technical progress.