

DMA...A

DMA Actuator drives for

- Motorised Butterfly Valve DMK

DUNGS[®]
Combustion Controls



Technical description

Various actuator drives are available for the Dungs DMK motorised butterfly valves:

- Actuators with cams
- Electronic actuators with analog output signal

The DMA...A actuator is distinguished by:

- continuously adjustable cams
- a mechanical position indicator readable from the outside
- a freely selectable mounting position
- maintenance-free operation
- switchover between Automatic and Manual (option)
- position feedback (option)

The selection of the actuator drive depends on the type of application.

Application

The actuator drives, which guarantee a precise rotation between 0 and 90 °C, are used in combination with the DUNGS DMK motorised butterfly valve to control the gas supply or the air supply to gas-burning appliances e.g. gas burners.

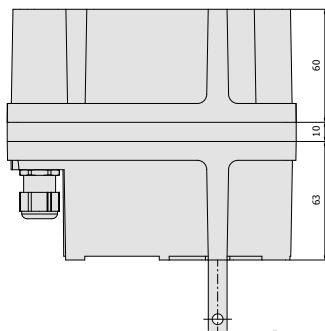
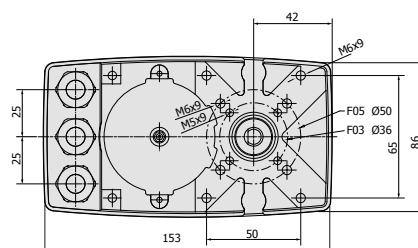
Approvals

The actuator drives comply with the basic requirements of the EMC and low-voltage guideline.

Technical Data NANO S	
Motor	Synchronous motor, short circuit-proof
Degree of protection	IP 65 (optional IP 66)
Ambient temperature	-15 °C...+60 °C/optional -40 °C...+80 °C (with PMR: 0 °C...+60 °C)
Housing	Diecast aluminium (EN AC-44200) untreated
Gear box	Metal
Hood	Plastic (polycarbonate)
Output shaft	1.4021
Position indicator	optional with 230 VAC
Supply voltage	230 VAC 115 VAC
Frequency	50/60 Hz
Additional switches	2 pieces (optional)
Potentiometer	optional
Travel	10°...330°
Switch-on duration	100 %
Connection	3 cable entries M16 x 1.5
Path cut-off	Switching cams/micro switches
Maintenance	Lifetime lubrication (maintenance-free)
Control	3-point-step

Type	Torque [Nm]	Operating time [s/90 °C]
Nano S 05-03	5	3
Nano S 05-06	5	6
Nano S 05-15	5	15
Nano S 05-30	5	30
Nano S 05-60	5	60
Nano S 10-06	10	6
Nano S 15-15	15	15
Nano S 20-30	20	30

Dimensions [mm] Nano S



**Installation: direct mounting to DMK...-Q
by customer possible**

Technical Data	
NANO M	
Motor	Synchronous motor, short circuit-proof
Degree of protection	IP 65 (optional IP 66)
Ambient temperature	-15 °C...+60 °C/optional -40 °C...+80 °C (with PMR: 0 °C...+60 °C)
Housing	Diecast aluminium (EN AC-44200) untreated
Gear box	Metal
Hood	Plastic (polycarbonate)
Output shaft	1.4021
Position indicator	optional
Supply voltage	230 VAC 115 VAC
Frequency	50/60 Hz
Additional switches	2 pieces (optional)
Potentiometer	optional
Travel	10° ... 150°
Switch-on duration	100 %
Connection	3 cable entries M16 x 1.5
Path cut-off	Switching cams/micro switches
Maintenance	Lifetime lubrication (maintenance-free)
Control	3-point-step

Type	Torque [Nm]	Operating time [s/90 °C]
Nano M 30-60	30	60

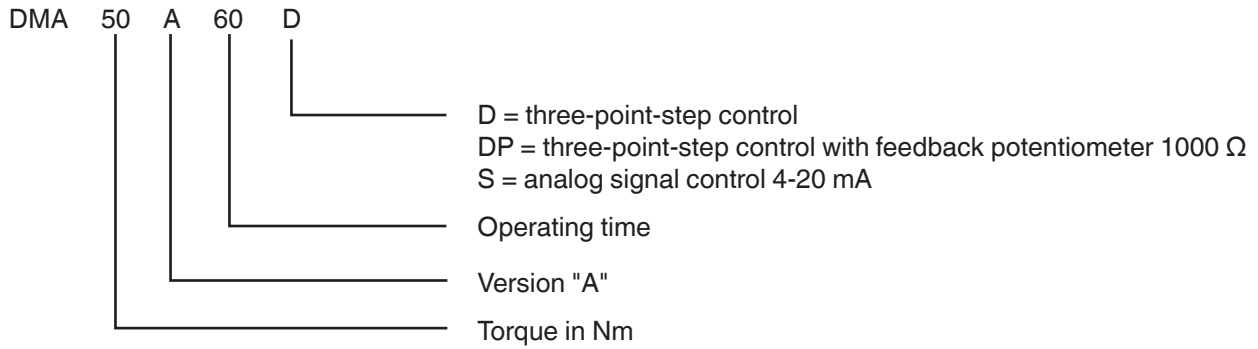
Dimensions [mm]
Nano M

**Installation: direct mounting to DMK...-Q
by customer possible**

Type NANO S	Torque (Nm)	Operating time (s/90°)	Voltage	Version	Order No.
DMA 50A 06 D	5	6	~ (AC) 230	Three-point-step control	274694
DMA 50A 06 D	5	6	~ (AC) 115		274682
DMA 50A 15 D	5	15	~ (AC) 230		274697
DMA 50A 15 D	5	15	~ (AC) 115		274685
DMA 50A 30 D	5	30	~ (AC) 230		274700
DMA 50A 30 D	5	30	~ (AC) 115		274688
DMA 50A 60 D	5	60	~ (AC) 230		274703
DMA 50A 60 D	5	60	~ (AC) 115		274691
DMA 50A 03 DP	5	3	~ (AC) 230	Three-point-step control with feedback potentiometer 1000 Ω	274769
DMA 50A 03 DP	5	3	~ (AC) 115		274754
DMA 50A 06 DP	5	6	~ (AC) 230		274718
DMA 50A 06 DP	5	6	~ (AC) 115		274706
DMA 50A 15 DP	5	15	~ (AC) 230		274721
DMA 50A 15 DP	5	15	~ (AC) 115		274709
DMA 50A 30 DP	5	30	~ (AC) 230		274724
DMA 50A 30 DP	5	30	~ (AC) 115		274712
DMA 50A 60 DP	5	60	~ (AC) 230		274727
DMA 50A 60 DP	5	60	~ (AC) 115		274715
DMA 100A 06 DP	10	6	~ (AC) 230		274772
DMA 100A 06 DP	10	6	~ (AC) 115		274757
DMA 150A 15 DP	15	15	~ (AC) 230		274775
DMA 150A 15 DP	15	15	~ (AC) 115		274760
DMA 200A 30 DP	20	30	~ (AC) 230		274778
DMA 200A 30 DP	20	30	~ (AC) 115		274763
DMA 50A 03 S	5	3	~ (AC) 230	Analog signal control 4-20 mA	274804
DMA 50A 03 S	5	3	~ (AC) 115		274789
DMA 50A 06 S	5	6	~ (AC) 230		274742
DMA 50A 06 S	5	6	~ (AC) 115		274730
DMA 50A 15 S	5	15	~ (AC) 230		274745
DMA 50A 15 S	5	15	~ (AC) 115		274733
DMA 50A 30 S	5	30	~ (AC) 230		274748
DMA 50A 30 S	5	30	~ (AC) 115		274736
DMA 50A 60 S	5	60	~ (AC) 230		274751
DMA 50A 60 S	5	60	~ (AC) 115		274739
DMA 100A 06 S	10	6	~ (AC) 230		274807
DMA 100A 06 S	10	6	~ (AC) 115		274792
DMA 150A 15 S	15	15	~ (AC) 230		274810
DMA 150A 15 S	15	15	~ (AC) 115		274795
DMA 200A 30 S	20	30	~ (AC) 230		274813
DMA 200A 30 S	20	30	~ (AC) 115		274798

Type NANO M	Torque (Nm)	Operating time (s/90°)	Voltage	Version	Order No.
DMA 300A 60 DP	30	60	~ (AC) 230	Three-point-step control with feedback potentiometer 1000 Ω	274786
DMA 300A 60 DP	30	60	~ (AC) 115		274766
DMA 300A 60 S	30	60	~ (AC) 230	Analog signal control 4-20 mA	274816
DMA 300A 60 S	30	60	~ (AC) 115		274801

Nomenclature



DMA...A
DMA Actuator drives for
- Motorised Butterfly Valve DMK



We reserve the right to make any changes in the interest of technical progress.

Head Offices and Factory
Karl Dungs GmbH & Co. KG
Karl-Dungs-Platz 1
D-73660 Urbach, Germany
Telephone +49 7181-804-0
Telefax +49 7181-804-166

Postal address
Karl Dungs GmbH & Co. KG
Postfach 12 29
D-73602 Schorndorf, Germany
e-mail info@dungs.com
Internet www.dungs.com