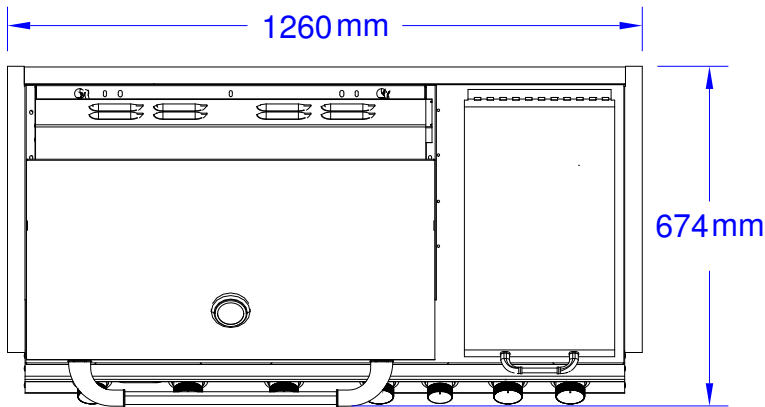
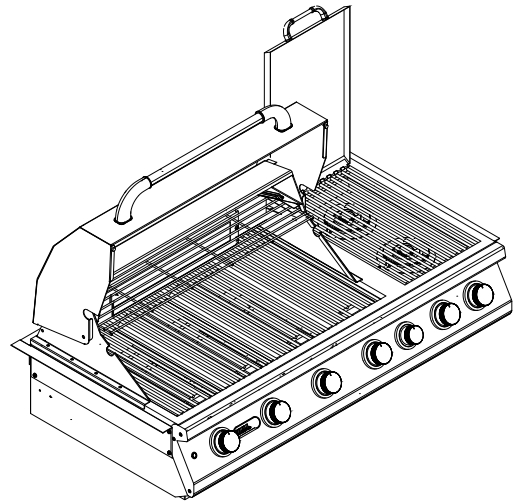


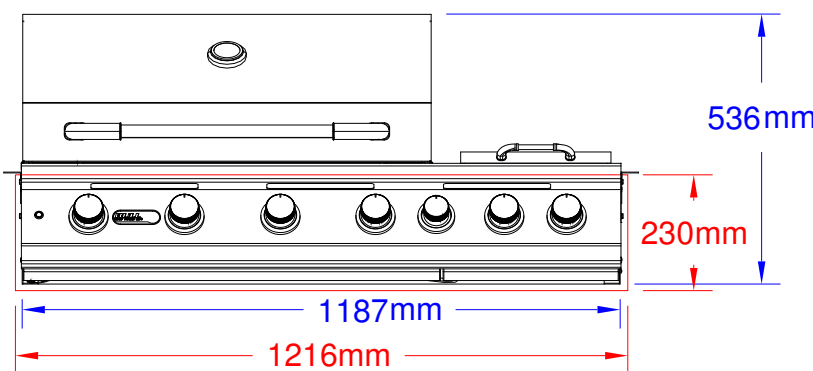
ITEMS: #18248CE LP, #18249CE NG  
7 BURNER GRILL



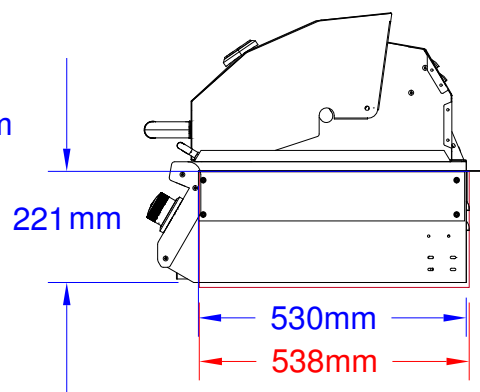
Top View



Isometric View



Front View



Side View

SPEC SHEET NOTES:

1. CUTOUT DIMENSIONS: 1216L x 538D x 230H
2. SCALE: 1 : 15 ( Printer page scaling none, do not use fit to printable area option )
3. VISION: 08/2018