

Product sheet „Butterfly Valve“

BFL WAFER Type for gas

Soft seated butterfly valve in intermediate flange for flanging between Flanges, with flow optimized, centric disc, self stable, removable seat ring and one-piece, triple bearing drive shaft

Product features:

- Face to Face acc. EN 558-1 Line 20 (DIN3202/K1)
- Size: DN40 to DN600, other sizes on request
- Flange acc. to DIN EN 1092-2 PN6-PN40 / ANSI / JIS / BS

- For flanging between flanges
- Self stable seating, vulcanized on backing ring
- Soft sealing
- centric disc
- one piece stem, triple bearing
- Installation without additional flange seals

Material

- **Body:**
 - EN-JS 1030 (GGG 40)
 - EN-JS 1049 (GGG 40.3)
 - Other materials on request
- **Disc:**
 - 1.4408 (stainless steel)
 - Other materials on request
- **Stem:**
 - 1.4005 (stainless steel)
 - 1.4542 (stainless steel)
 - 17/4PH ASTM A564
 - Other materials on request
- **Seal:**
 - NBR-DVGW



Product sheet „Butterfly Valve“

BFL WAFER Type for gas

Corrosion protection:

- Galvanized and chromated, with 2-K-Coating, RAL5015, blue
Other coating systems and RAL colors on request

Application:

- Industry
- Process engineering
- petrochemistry
- energy industry
- gas distribution

Operation:

- Handlever made of different materials
- Gearbox made of different materials
- Pneumatic
- Electric
- Hydraulic
- Sprocket

Assesories

- Limit switches
- Stem extension
- Spindel extension
- Mounting bracket

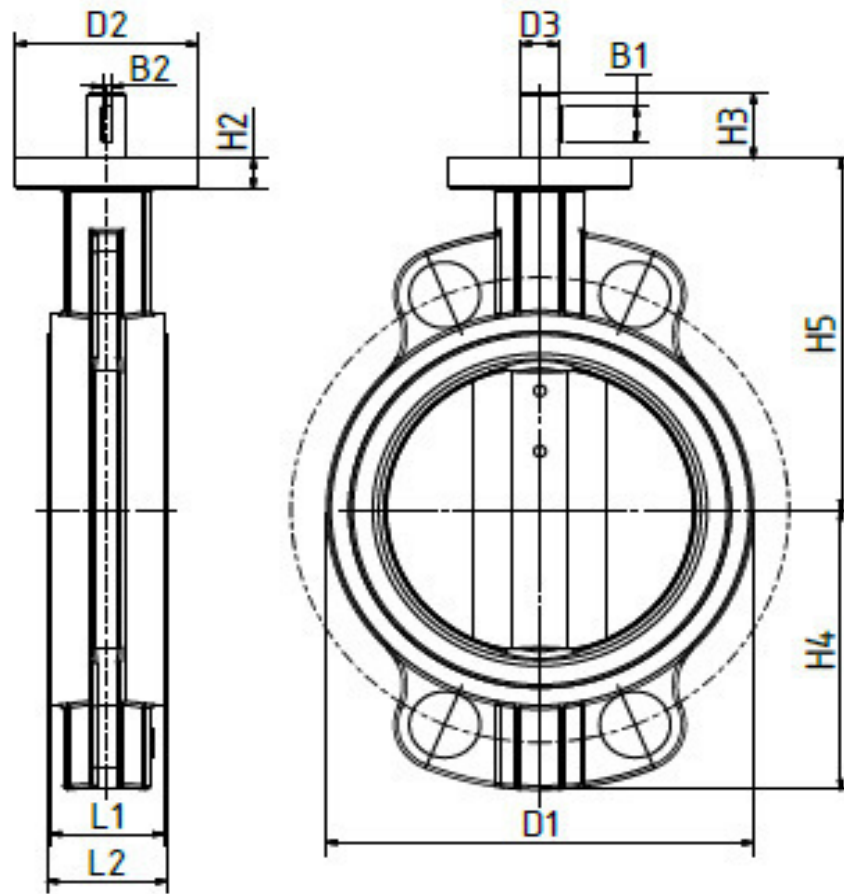
Our approvals



Dimension sheet „Butterfly Valve“

BFL wafer type Bareshaft

Dimensions and weight



Size DN	ISO Flange	FTF		B1	B2	D1	D2	D3	H2	H3	H4	H5	weight
mm		L1 mm	L2 mm	mm	mm	mm	mm	mm	mm	mm	mm	mm	Kg.
40	F05/F07	33	36	13	3,18	110	90	12,70	13	32	61	130	1,7
50	F05/F07	43	46	13	3,18	118	90	12,70	13	32	78	124	2,9
65	F05/F07	46	49	13	3,18	137	90	12,70	13	32	90	134	3
80	F05/F07	46	49	13	3,18	148	90	12,70	13	32	98	141	3,8
100	F05/F07	52	56	19	4,76	159	90	15,88	13	34	115	156	4,6
125	F07	56	59	19	4,76	189	90	19,05	16	34	122	170	6,9
150	F07	56	59	19	4,76	211	90	19,05	16	34	148	186	7,8
200	F07/F10	60	65	19	4,76	269	125	22,20	16	45	180	218	13,8
250	F10	68	73	25	6,35	324	125	28,58	16	45	210	249	20,2
300	F12	78	81	25	6,35	375	150	31,75	20	45	250	285	32,2
350	F12	78	81	25	6,35	440	150	31,75	22	45	268	368	44,0
400	F12 (F14)	102	107	38	7,90	494	175	33,34	22	51	318	400	61,0
450	F14 (F16)	114	119	38	9,50	540	210	38,00	22	51	335	423	96,5
500	F14 (F16)	127	132	54	9,50	597	210	41,15	25	64	375	480	117,5
600	F16	154	160	57	12,7	710	210	50,80	26	76	460	562	150
700	F25	165	169	60	18	810	300	63,53	26	90	520	624	270
800	F25	190	195	60	18	935	300	63,53	26	90	591	672	375
900	F25	203	211	110	20	1000	300	75,00	28	140	623	768	675
1000	F30	216	229	110	22	1145	300	85,00	28	130	665	823	850
1200	F30	254	261	130	32	1369	350	115	30	160	755	880	1340

Other diameter on request