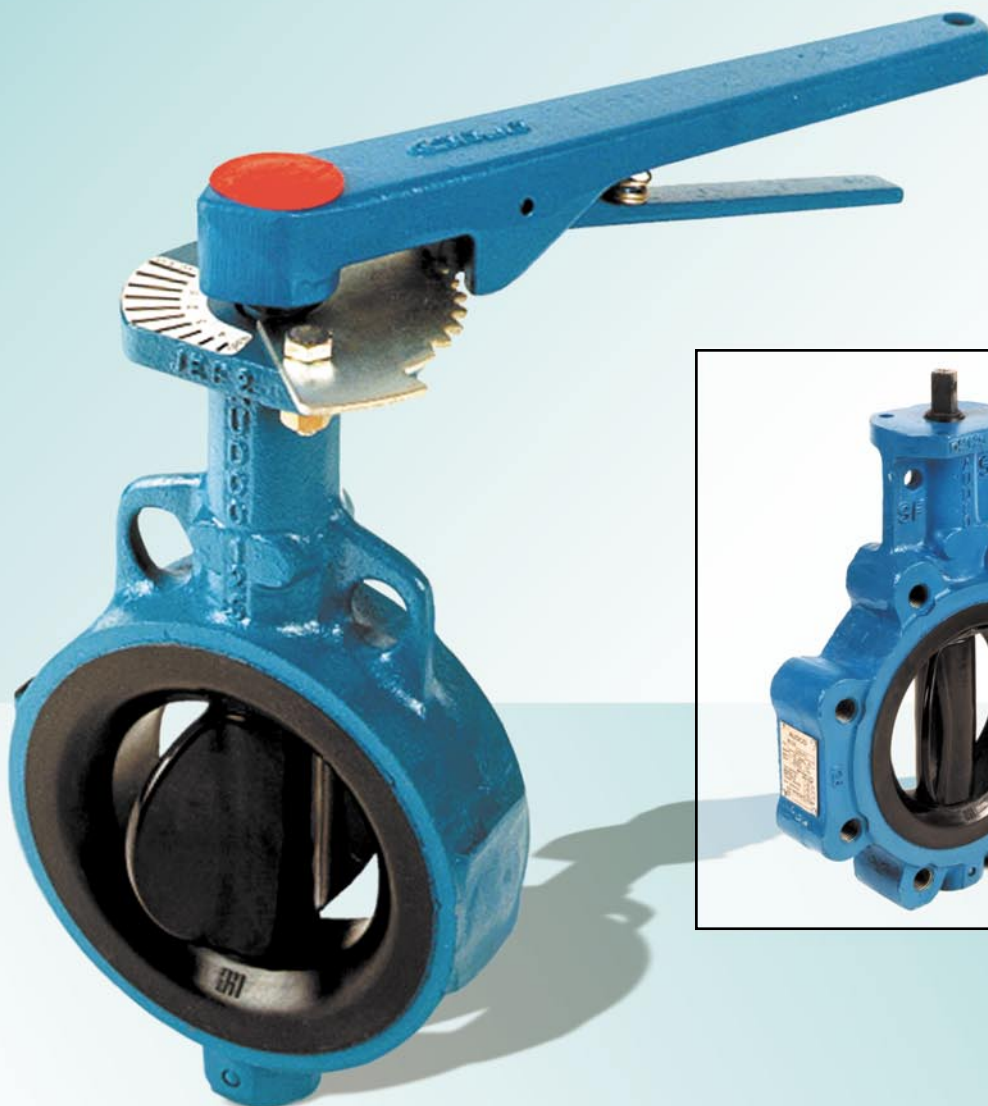




Serck Audco Valves

Slimseal

Wafer Type Butterfly Valves



BS EN ISO 9001



FM 00707

The Audco Slimseal is a wafer type butterfly valve with an integrally bonded elastomer liner. Requiring absolutely no form of maintenance the Slimseal is a perfect "Fit and forget" valve. Available with either a flangeless or lugged body, in a size range of 50-600 mm, a pressure rating of up to PN 16 and offered with latching lever or actuation as well as different combinations of disc and seat materials, the Slimseal is a truly versatile valve.

Features	Benefits
Integrally bonded body seat	Easy and trouble free mounting in the pipeline. No maintenance. No tearing and distortion of liner. Exceptionally long seat life. Uniform sealing. Suitable for vacuum and high flow applications.
PTFE coated stainless steel shaft	Permanent dry lubrication. Ease of operation. Prevents corrosion on shaft.
Primary and secondary seals integral with body lining	Ensures compatibility with media.
Different disc and seat combinations available	Suitable for a wide range of applications.
Weatherseal feature (see below)	Atmospheric sealing to valve internals.
Spherical machined and polished disc (optional)	Ensures longer seat life, easier operation and tight shut-off.

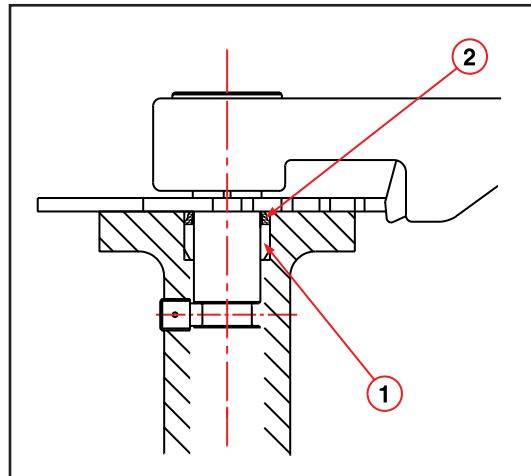
Applications

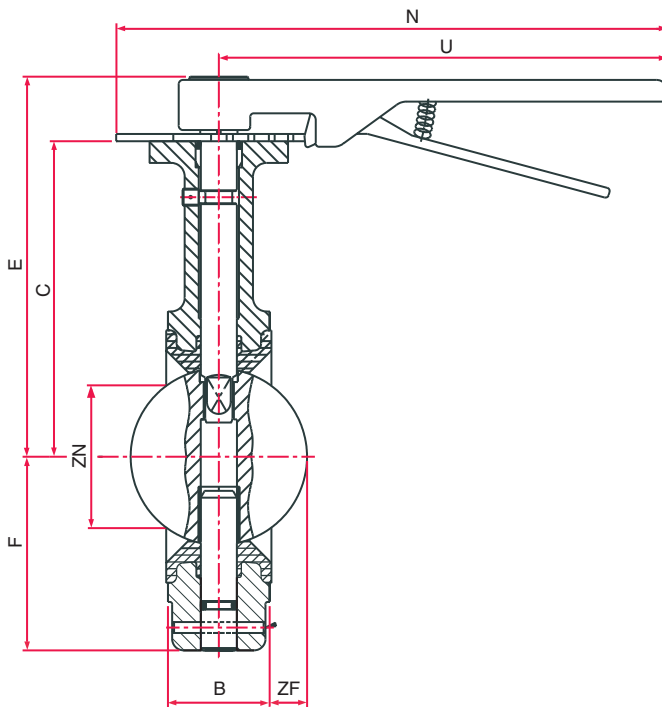
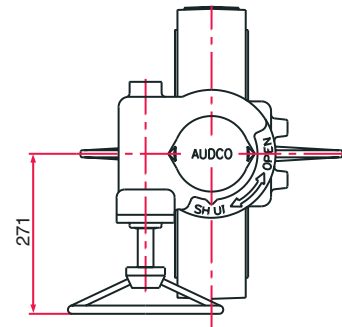
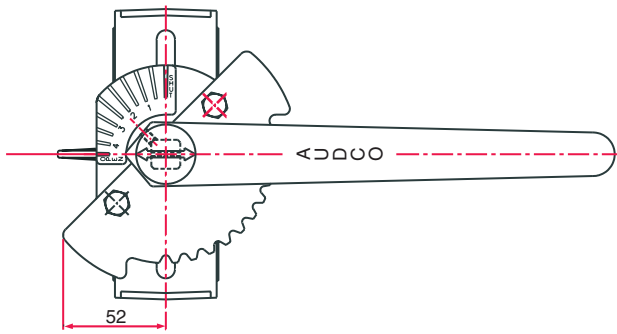
General Applications	Continuous Working Temperature Range	Maximum Working Pressure	Disc Material	Seat Material
Oils, fuels, water, air, gases, powders, pellets, slurries etc.	Hydrocarbons (Except aromatics) -10°C to 90°C Other liquids -10°C to 80°C Dry services -10°C to 60°C	16 bar	Nylon coated SG iron	Black Nitrile
Brines, sea water, estuary water, marine bilge and ballast systems	Liquids -10°C to 80°C	16 bar	Aluminium Bronze	
Steam, water, hot gases, powders, slurries and aqueous slurries of an abrasive nature	Liquids -10°C to 120°C Dry services -10°C to 100°C	16 bar	Stainless steel Periphery Polished	General Purpose EPDM

Weatherseal Feature

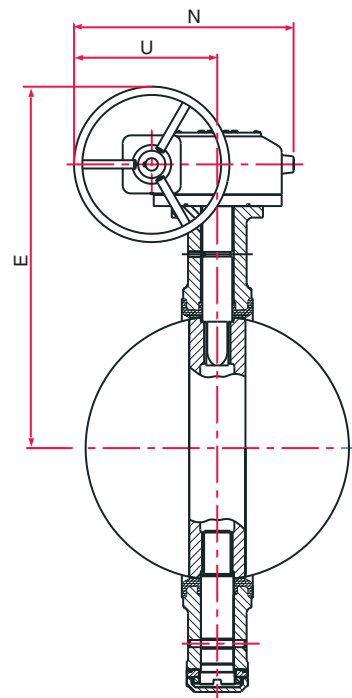
The acetal bush (see 1 opposite) at the top end of the shaft acts as a bearing, thereby reducing actuator torque.
The Weatherseal (2) provides atmospheric sealing to the valve interior.

The Weatherseal design is available on 50mm to 300mm sizes.





Valve with lever



Valve with gear unit

Dimensions (mm)

Valve size mm (inches)	50 (2)	65 (2.5)	80 (3)	100 (4)	125 (5)	150 (6)	200 (8)	250 (10)	300 (12)	350 (14)	400 (16)	450 (18)	500 (20)	600 (24)
B	43	46	46	52	56	56	60	68	78	78	102	114	127	154
C	140	153	160	178	194	203	239	271	310	318	370	410	440	500
E - Flow control lever	180	193	200	218	234	243	306	338	377	-	-	-	-	-
Standard gear unit	427	440	447	465	481	490	409	441	-	-	-	-	-	-
Heavy duty gear unit	-	-	-	-	-	-	455	488	527	535	587	790	820	880
F	65	78	85	105	118	144	169	237	272	342	377	447	477	547
H - Wafer flangeless	103	110	130	161	193	220	273	328	378	438	489	532	580	685
Wafer lugged	121	135	180	208	238	261	322	394	462	531	598	644	710	836
N - Flow control lever	311	311	311	311	311	311	619	619	619	-	-	-	-	-
Standard gear unit	152	152	152	152	152	152	267	267	-	-	-	-	-	-
Heavy duty gear unit	-	-	-	-	-	-	375	375	375	375	375	552	552	552
U - Flow control lever	268	268	268	268	268	268	508	508	508	-	-	-	-	-
Standard gear unit	76	76	76	76	76	76	187	187	-	-	-	-	-	-
Heavy duty gear unit	-	-	-	-	-	-	255	255	255	255	255	437	437	437
ZN	27	47	63	83	107	136	185	234	280	328	377	424	476	573
ZF	4	10	16	23	32	45	67	88	106	130	144	163	183	220
Handwheel dia.														
- Standard gear unit	152	152	152	152	152	152	250	250	-	-	-	-	-	-
- Heavy duty gear unit	-	-	-	-	-	-	300	300	300	300	300	578	578	578

Material Specification

Part	Material of Construction
Body	Cast Iron to BS 1452 Gr 220
	SG Iron to BS 2789 Gr 420/12
	C/S to ASTM A216 Gr WCB
Body liner	Black Nitrile
	EPDM (WRC Approved)
Disc	SG Iron to BS 2789 Gr 420/12 with nylon coating
	Al. Bronze to BS 1400 Gr AB2/AB1
	S/S to ASTM A351 Gr CF8/CF8M edge polishd
Shaft	AISI 410 PTFE coated for permanent dry lubrication
Bearings	50 - 300mm - Acetal
	350 - 600mm - Phosphor Bronze
Standard flow control lever	SG Iron to BS 2789 Gr 420/12

Operation

Valve Type	Size Range (mm)
Flow Control Lever	50 to 300
Standard Gear Unit	50 to 250
Heavy Duty Gear Unit	200 to 600

Standards

	Size (mm)	Standards
Face to Face	50 to 300	BS 5155 - Wafer Short API 609 - Category A MSS SP 67 - Narrow Body ISO 5752 - Short
	350 to 600	BS 5155 - Wafer Medium API 609 - Category A (Except DN 350) MSS SP 67 - Wide Body ISO 5752 - Medium
Valve Design	BS 5155 - Specification for Butterfly Valves	
	API 609 - Lug and Wafer type Butterfly Valves	
	MSS SP 67 - Butterfly Valves	
	ISO - Metal valves for use in flanged pipe systems. Face to face and centre to face dimensions	

Torque Data - Nm*

Valve Size (mm)	Line Pressure (bar)	
	14	16
50	11	12
65	17	20
80	24	27
100	36	41
125	55	62
150	81	93
200	160	182
250	244	279
300	279	318
350	452	514
400	813	925
450	1047	1192
500	1325	1506
600	2662	3029

* Safety factor not included

Pressure Rating

Seat	Rating (bar)	Test Pressures (bar)	
		Body / Disc	Seat
Black Nitrile/EPDM	16	24	17.6

Valves tested to BS6755 Part 1

Flanges

The valves are of short pattern type and have been designed to fit between flanges without gaskets drilled to BS 10 Tables 'D', 'E', and 'F', ANSI 125/150, DIN PN 10/16, BS 4504 (PN10/16), Tables 6 to 9 of IS : 6418, Tables 10 to 20 of IS : 6392 and Tables 4 to 6 of IS : 1538

Accessories

Slimseal butterfly valves can be supplied with factory fitted pneumatic, hydraulic or electric actuators along with other accessories such as limit switches, manual overrides, positioners etc. to form a complete flow control package. Heavy duty gear units are supplied for valves to be fitted with electric actuators.

Installation, Operating and Maintenance instructions for the Slimseal are available on request.

Serck Audco Valves

Flowserve Flow Control (UK) Ltd

Burrell Road, Haywards Heath, West Sussex RH16 1TL

T: +44 (0)1444 314400 F: +44 (0)1444 314401

Website: www.flowserve.com