



BUTTERFLY VALVE BV10 - WAFER



BV10 WAFER



MAX. WORKING PRESSURE

Max. working pressure:	16.0 bar
Hydraulic body test:	24.0 bar
Hydraulic seat test:	17.8 bar
AISI 316 stem execution:	10.0 bar

TEMPERATURE RANGE:

EPDM:	-20°C	+120°C
BUNA:	-10°C	+ 90°C
VITON:	-10°C	+170°C

TECHNICAL SPECIFICATIONS:

Face to face according to EN558 - BS5155 - ISO5752 - API609

Long neck execution

Wafer type with 4 centerholes - type BV10

1-piece continuous stem design "anti blow-out" system

Internal stem/disc junction

Mounting topflange according to ISO 5211

Mounting between flanges DIN PN6/10/16, ANSI 150 and some JIS.K10

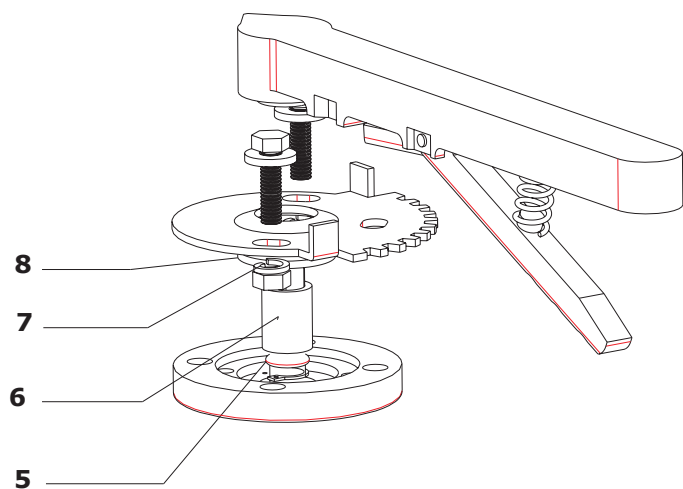
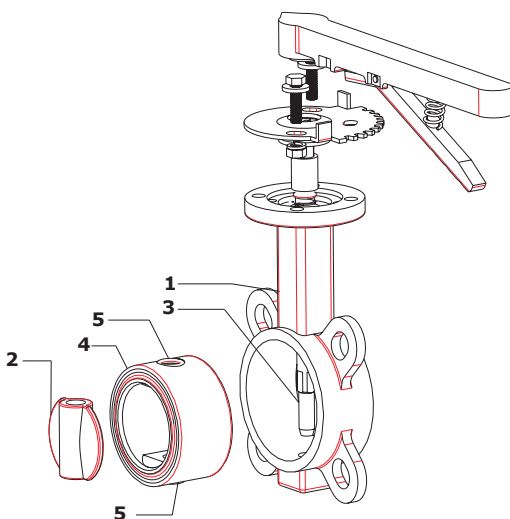
Exchangeable seat vulcanised on hard centre - type Back-up - with 2 lay-in O-rings (top and bottom)

Epoxy coating - thickness minimal 200 micron

APPLICATION:

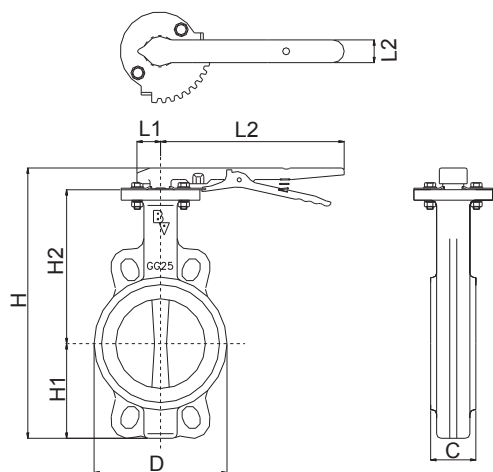
Cold and warm water clean, waste- and salt water, oil, granulates, etc...

Gasses (compressed air, natural gas, etc...)

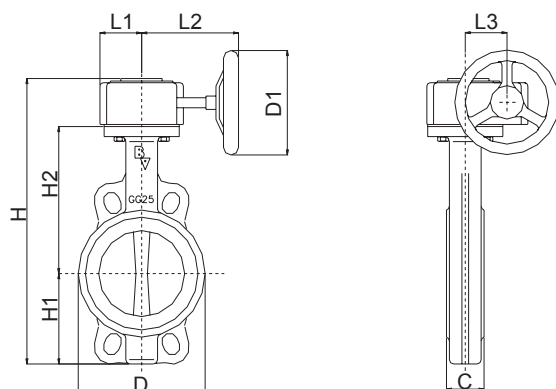




BV10 WAFER



DN	D	H	H1	H2	L1	L2	L3	C	KG
32	75	225	58	141	28	185	26	33	3.2
40	82	225	58	141	28	185	26	33	3.2
50	97	230	65	140	28	185/260	26	43	4.0
65	109	250	72	153	28	185/260	26	46	4.3
80	126	277	94	158	28	185/260	26	46	4.8
100	152	311	108	176	28	185/260	26	52	6.4
125	182	332	120	191	28	185/260	26	56	7.4
150	207	364	136	203	28	185/260	26	56	8.5
200	262	447	165	244	45	350	35	60	16.4
250	317	513	202	273	45	350	35	68	22.7
300	373	580	235	311	45	350	35	78	32.9



DN	D	D1	H	H1	H2	L1	L2	L3	C	KG
50	97	100	251	65	140	40	95	42	43	3.8
65	109	100	271	72	153	40	95	42	46	4.3
80	126	100	298	94	158	40	95	42	46	4.8
100	152	125	342	108	176	50	107	50	52	7.3
125	182	125	369	120	191	50	107	50	56	9.1
150	207	125	397	136	203	50	107	50	56	10.6
200	262	200	482	165	244	73	170	60	60	19.1
250	317	200	548	202	273	73	170	60	68	25.1
300	373	315	619	235	311	73	170	60	78	37.0

STANDARD EXECUTION

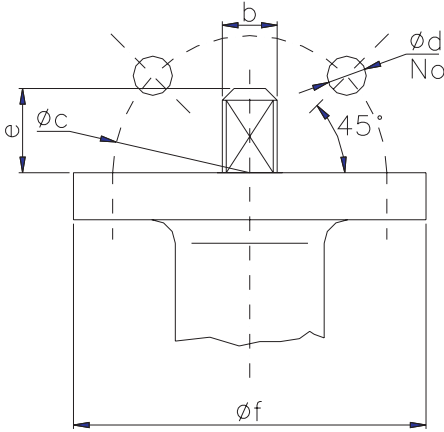
N°	DESCRIPTION	BV10-2327E	BV10-2366E	BV10-2313B
1	BODY	GG25/EPOXY	GG25/EPOXY	GG25/EPOXY
2	DISC	GGG40/RILSAN	AISI 316	ALU-BRONZE
3	STEM	AISI 420	AISI 420	AISI 316
4	SEAT	EPDM	EPDM	BUNA
5	O-RING	EPDM	EPDM	BUNA
6	BUSHING	POLYAMIDE	POLYAMIDE	POLYAMIDE
7	CIRCLIP	STEEL	STEEL	STEEL
8	RETAINER	ZINC PLATED STEEL	ZINC PLATED STEEL	ZINC PLATED STEEL



BV10 WAFER



ISO - TOP FLANGE



DN	b	c	e	f	d	n°
32	11	F05-50 / F07-70	22	90	7/10	4
40	11	F05-50 / F07-70	22	90	7/10	4
50	11	F05-50 / F07-70	22	90	7/10	4
65	11	F05-50 / F07-70	22	90	7/10	4
80	11	F05-50 / F07-70	22	90	7/10	4
100	14	F07-70	22	90	10	4
125	14	F07-70	22	90	10	4
150	14	F07-70	22	90	10	4
200	17	F10-102	34.5	150	12	4
250	22	F10-102	34.5	150	12	4
300	27	F12-125	34.5	150	14	4

TORQUES

Torque testing conditions: Water 20°C EPDM seat.

Values are average in Nm, we advice to add at least 30% to the net value to calculate actuators.

DN	32	40	50	65	80	100	125	150	200	250	300
3 bar	6.00	6.00	12.50	12.75	15.25	30.50	40.50	66.50	94.50	153.00	176.00
6 bar	7.00	7.00	13.75	15.00	17.00	34.25	41.25	72.75	106.30	153.00	198.00
10 bar	7.00	7.00	14.50	15.25	17.00	36.50	46.25	76.25	117.50	162.00	236.30
16 bar	9.00	9.00	15.50	17.00	18.50	41.25	59.25	102.50	153.80	231.30	285.00

KV - VALUES

DN	90°	80°	70°	60°	50°	40°	30°	20°
32	69	60	39	22	16	9.5	4.3	2.6
40	69	60	39	22	16	9.5	4.3	2.6
50	130	104	65	45	29	16	10	5
65	227	178	117	81	49	29	16	8
80	356	292	185	123	78	45	26	13
100	583	470	305	204	130	75	39	21
125	1037	826	535	356	327	227	130	36
150	1523	1215	794	535	340	194	113	54
200	2560	2041	1328	891	567	324	178	90
250	4050	3240	2106	1426	891	502	275	140
300	5832	4666	3029	2041	1280	729	405	210